



VERTICAL BEARINGS

VERTICAL COMBINATION BEARINGS

VERTICAL GUIDE BEARINGS

01. Introduction

02. KMP Vertical Bearings

Combined Thrust & Guide Bearing
Guide Bearing

03. Features

04. Materials

05. Instrumentation

INTRODUCTION

KMP Technologies Pvt. Ltd. is a pioneering Indian company specializing in designing and manufacturing all kinds, and sizes of Tilting Pad Bearing Assemblies, and other babbitt-lined bi-metal and tri-metal bearings. Our products are extensively used as original fitment and spares in Gas, Steam and Hydro Turbines, Gear Boxes, Pumps, Compressors, and other critical rotating equipment.

Established in 1968, KMP's services and products are sought with confidence by our global customer base, including reputed manufacturers and end-users, for their requirements of different kinds of bearings. The company highly values its prestigious customer profile and is committed to extending its constant and consistent services, and high quality products, to all the existing and potentially new clients in India and abroad.

KMP VERTICAL BEARINGS

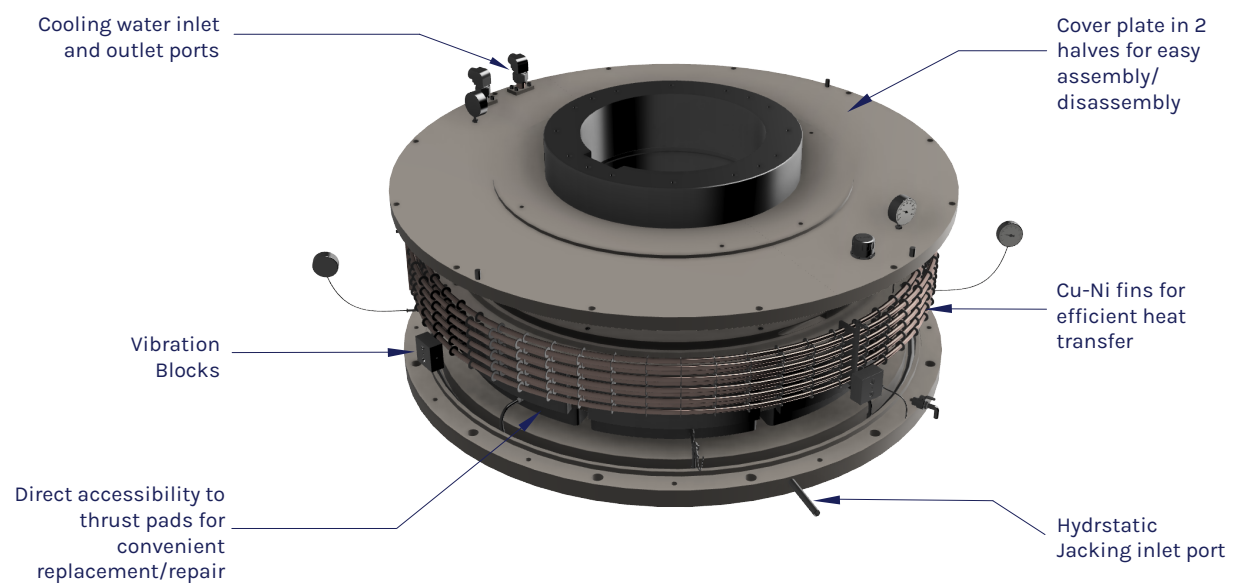
COMBINED THRUST & GUIDE BEARING

RANGE OF PROJECTS EXECUTED

AXIAL THRUST (kN)		
	DUTY POINT	SHUT OFF
LOAD (Upto)	2481	4634

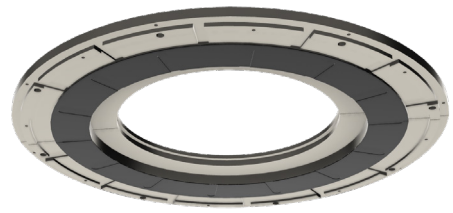
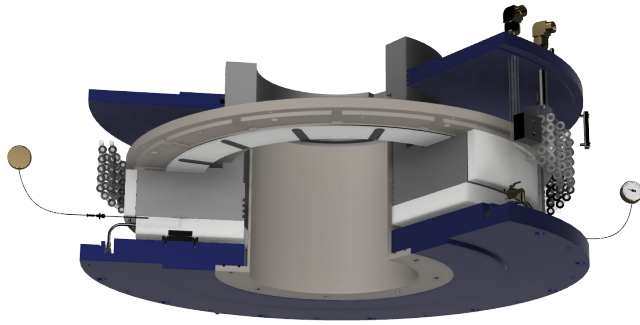
OPERATING SPEED (RPM)		RUNWAY SPEED (RPM)
SPEED (Upto)	600	720

SHAFT DIAMETER (mm)
600

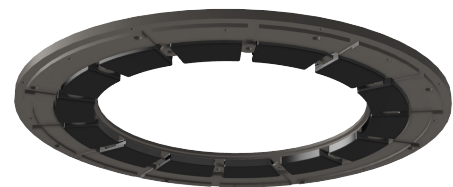
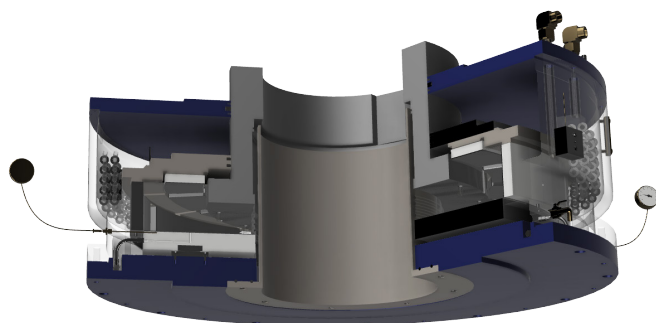


VERTICAL COMBINATION BEARING

FIXED UPPER THRUST



TILTING UPPER THRUST



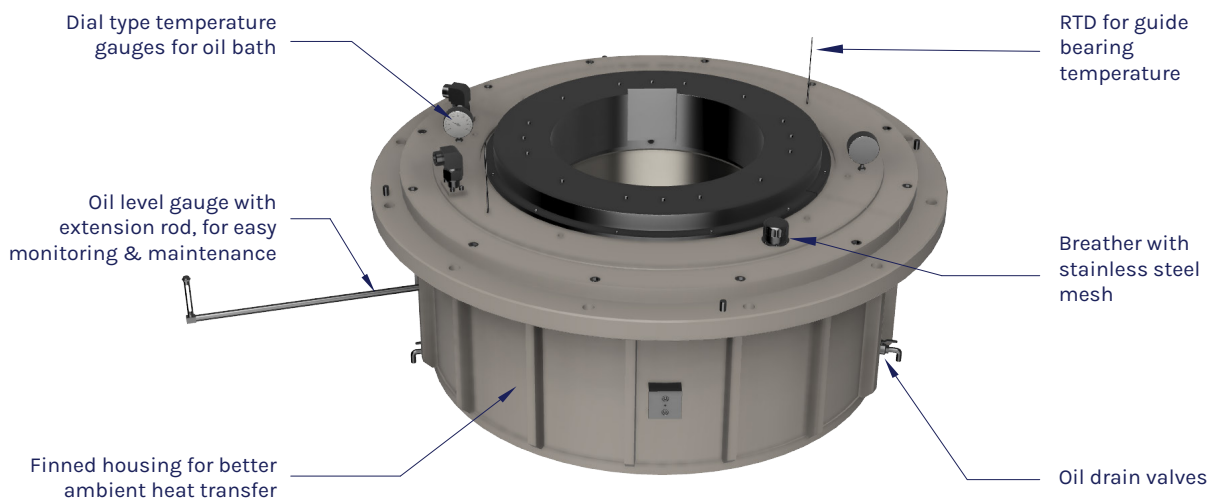
GUIDE BEARING

RANGE OF PROJECTS EXECUTED

AXIAL THRUST (kN)		
	DUTY POINT	SHUT OFF
LOAD (Upto)	318	1260

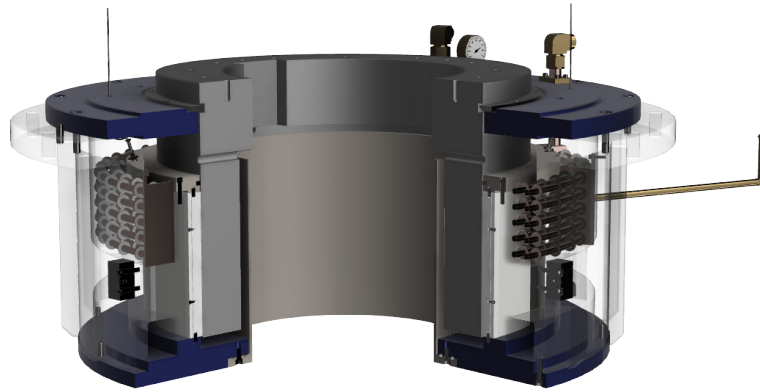
OPERATING SPEED (RPM)		RUNWAY SPEED (RPM)
SPEED (Upto)	720	774

SHAFT DIAMETER (mm)
600

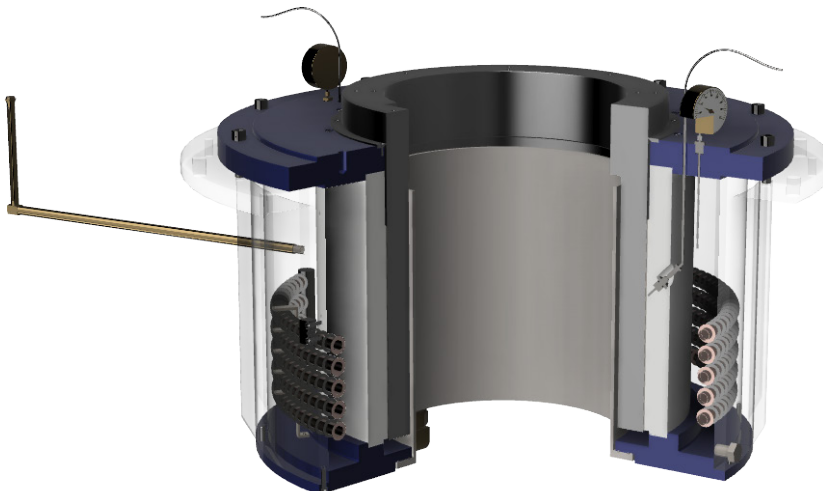


VERTICAL GUIDE BEARING

PAD TYPE



SLEEVE TYPE



FEATURES

Hydrostatic Jacking

The Bearings can also be provided with Hydrostatic Jacking, suitably designed for the given starting load conditions.

Adjustable Clearance

The clearance can be adjusted manually or mechanically.

Easy Assembly/Repair

All KMP bearings are designed for easy repair assembly. Making it convenient to repair bearings on location.

Pressure Equalizing

In case of intermittent asymmetric loading, self equalizing pads can be provided to distribute pressure evenly, and prevent pad failure.

MATERIALS

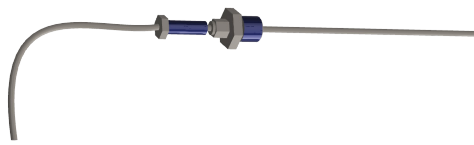
Our Vertical Bearings are manufactured with the most carefully selected materials, keeping in view the specific requirements of high loads, speeds and other operating conditions.

The most common materials used in our standard design are as follows:

Part Description	Material
Main Housing/Casing Cover Plate Base Plate	High Grade Alloy Steel Casting
Oil Sleeve	Cast Steel / Fabricated
Runner Carrier Ring	High Alloyed, Heat Treated Steel Forging
Guide Bearing/Pad Backing Shell Thrust Pad Backing Shell	Dehydrogenated/Vacuum De-gassed, Heat Treated Steel Forging
	Special Babbit Alloys - ASTM B23, Tego V738 (Ecka Granules, Germany)
Cooling Coils (Single or Multiple coils as per requirement)	Tubing - SS 304/316 or Cupro-Nickel Fins - Aluminium SS Connectors for Inlet/Outlet ports

INSTRUMENTATION

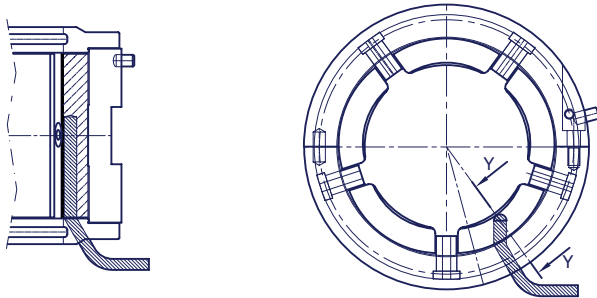
Probes for temperature measurement in Journal & Thrust Bearing Segments



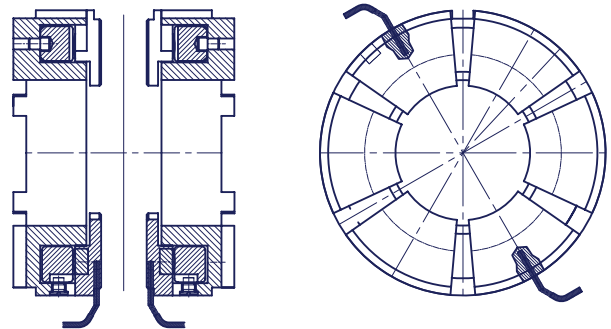
Resistance Thermometer



Dial-Type Thermometer

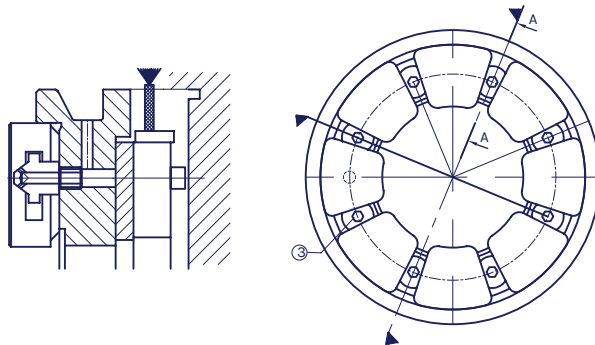


RTD Fitment in Journal Bearing Segments



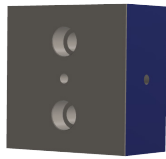
RTD Fitment in Journal Bearing Segments

Load Cells for dynamic thrust measurements



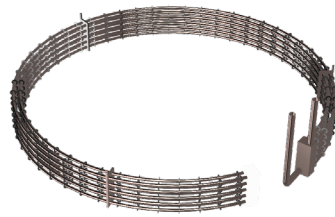
4 Load Cells, fitted in Thrust Bearing Segment

Provision for Vibration Probes at specific locations to check damping



Typical Vibration Block with provision for Probes

Heat Exchangers



SS Tubes with Cl-Ni or Extruded Aluminium Fins

Breathers



With Nylon or SS Mesh

Oil Level Gauges



With optional extension rod for easy monitoring & maintenance

Valves for Oil Drainage



KANPUR METAL PRODUCTS

93-B, Udyog Nagar
Kanpur - 208 022, India

KMP TECHNOLOGIES PVT. LTD.

3J, Udyog Vihar, Ecotech II
Greater Noida - 201 306, India

KMP TECHNOLOGIES PVT. LTD.

Plot 144, Siemens Limited Technopark
Maneja, Vadodara - 390 013, India

T +91 (512) 229 5248, 229 6180

W www.kmpbearings.com